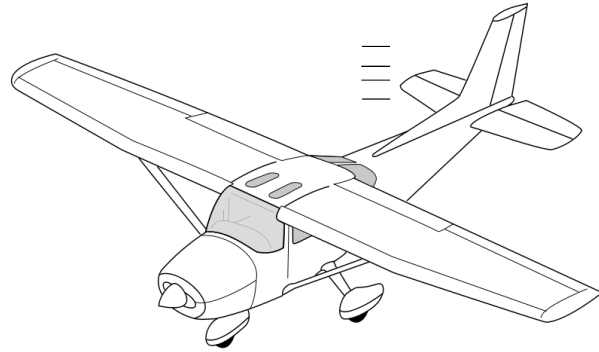


A A A A A A A A A

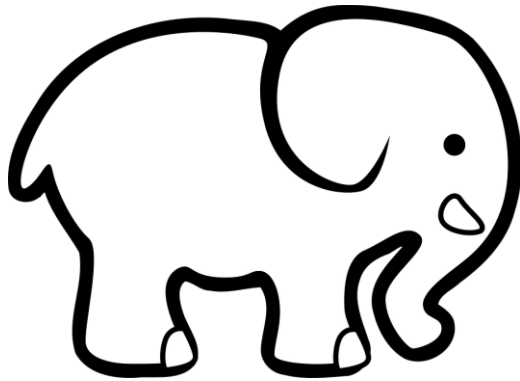
A A A A A A A A A



Blank handwriting practice lines consisting of three horizontal lines forming a wide rectangular area.

E E E E E E E E E

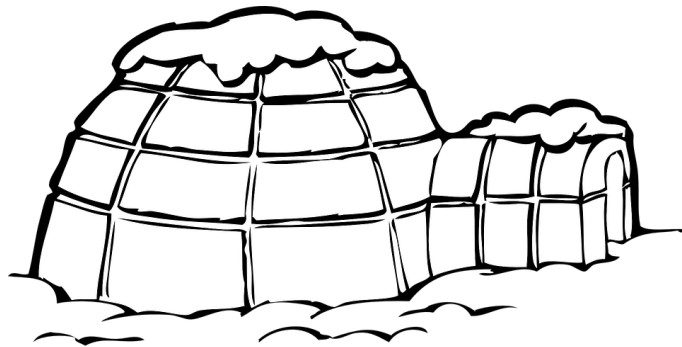
E E E E E E E E E



Blank writing area with three horizontal lines.

Handwriting practice row 1: A solid uppercase letter 'I' followed by ten dotted uppercase letters 'I' for tracing, all within a three-line grid.

Handwriting practice row 2: A solid uppercase letter 'I' followed by ten dotted uppercase letters 'I' for tracing, all within a three-line grid.



Three horizontal lines for free writing or drawing.

