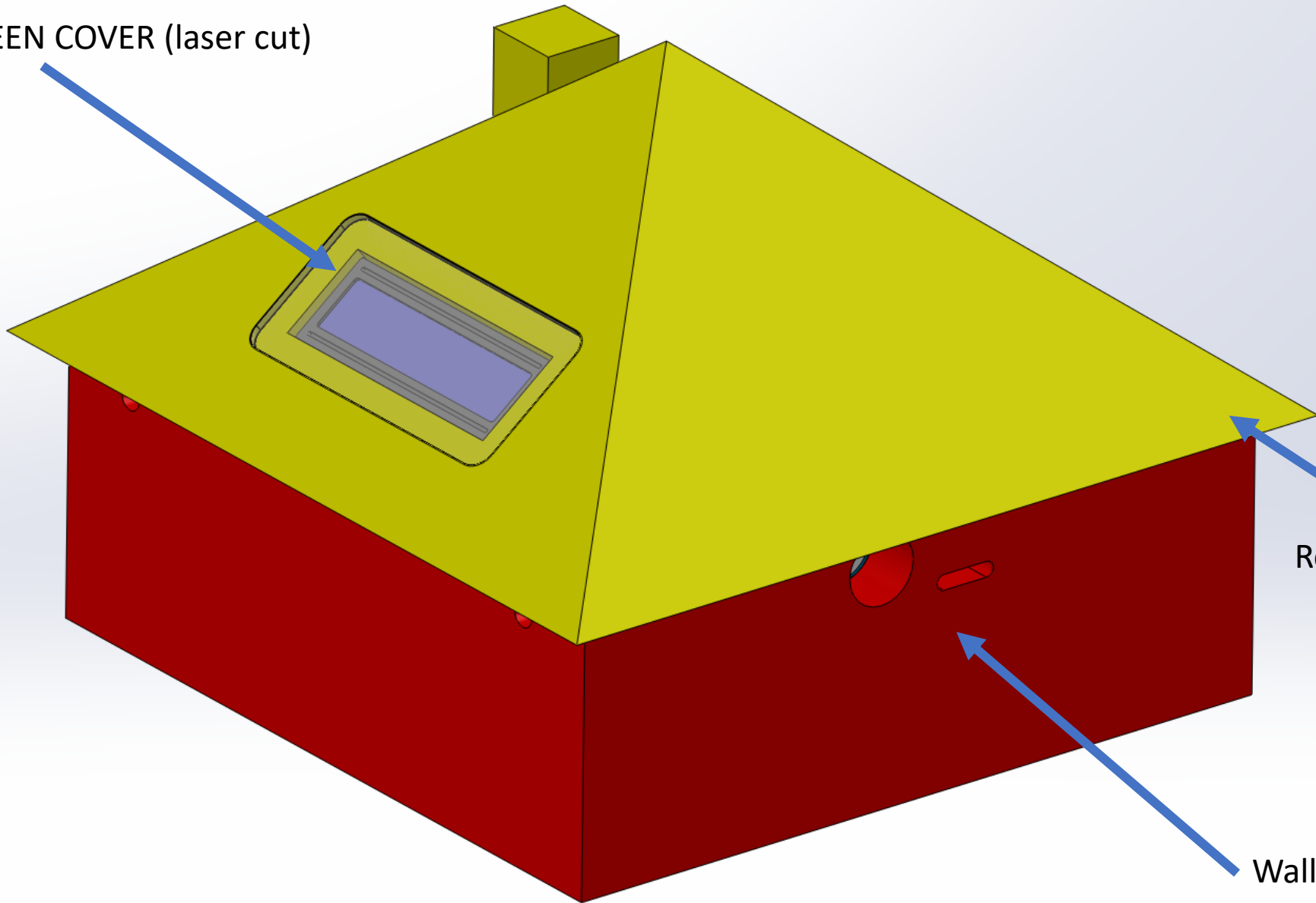


PROJECT CASA

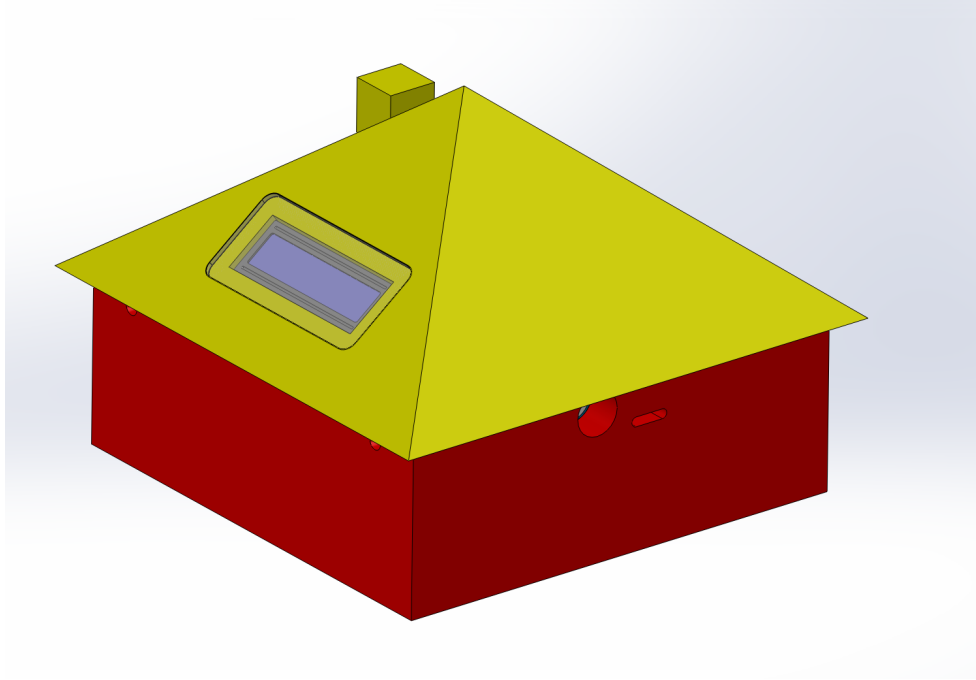
05-09-2019

LCD SCREEN COVER (laser cut)

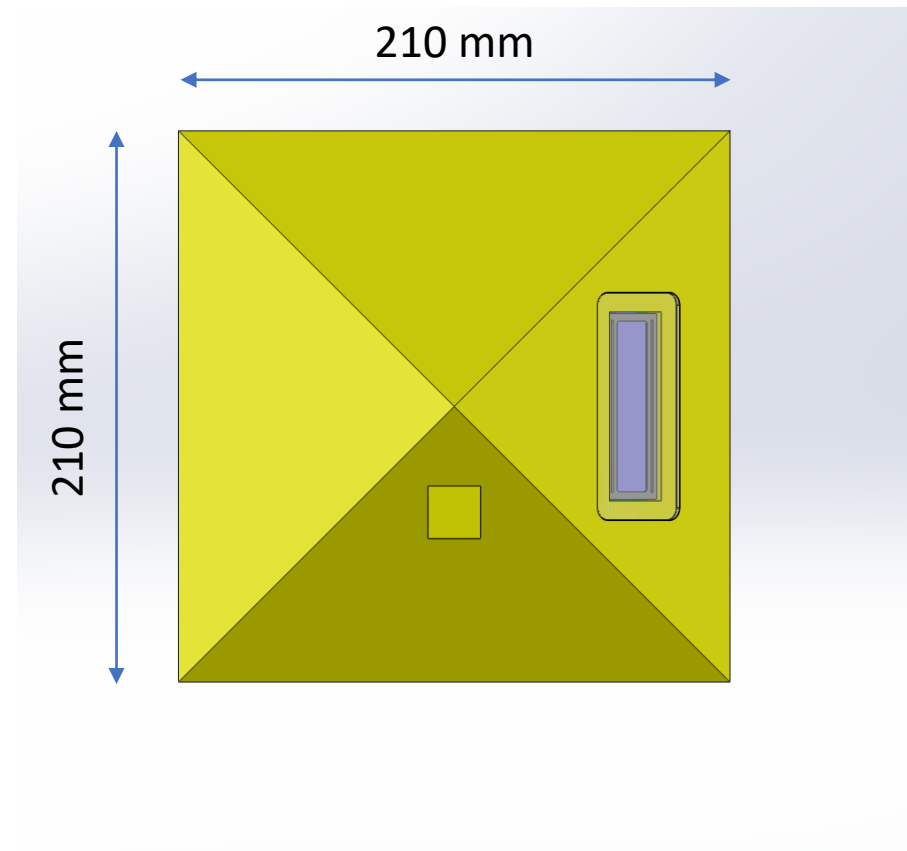


Roof (3D Print)

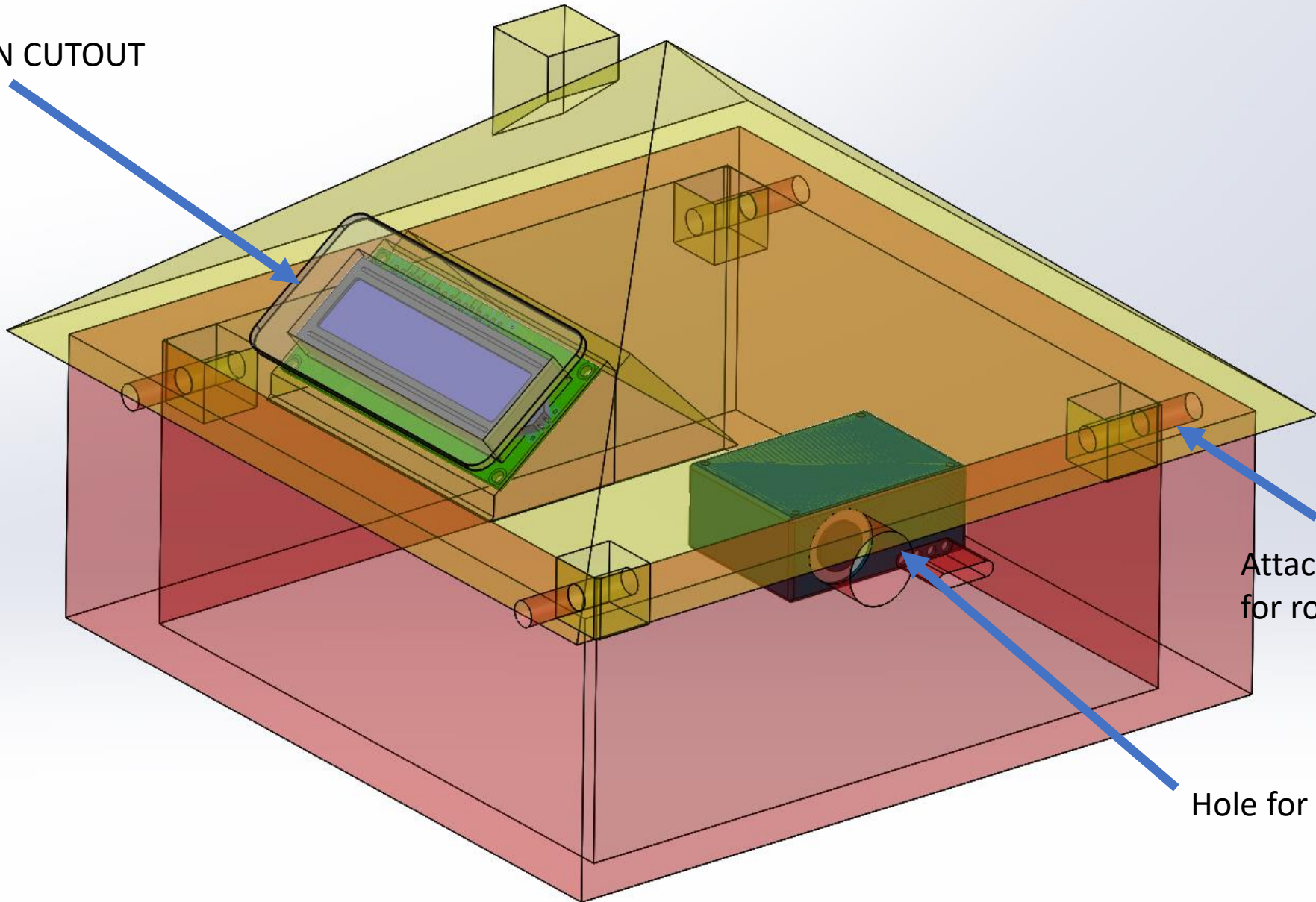
Walls (3D Print)



To fit on the 3D printer we needed to change the shape to 210x210 mm. I modified the design to fit the printer.



LCD SCREEN CUTOUT



Attachment features
for roof and walls

Hole for Particle sensor